

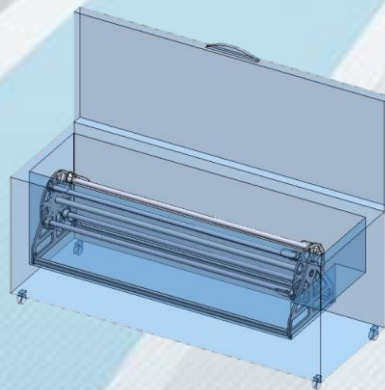
FREEZER

A15CFXXX-01

FREEZER

Our freezers are essential for storing your rolls of prepregs.

They allow to keep your prepregs in storage conditions, recommended by the manufacturers.



A15RRF-01



IDEAL FOR

- ✓ Store prepregs

ADVANTAGES

- ✓ Immediately ready for use
- ✓ Economic solution
- ✓ Quality product guarantees

FEATURES

- ✓ Digital thermostat with alarm: A15TR-01
- ✓ Equipment: 3 baskets
- ✓ Color: White lacquered
- ✓ Type of refrigerator: Static cold
- ✓ Rolls Rack: A15RRF-01



Chart & graphic recorder

References	Ext. Ø	Int. Ø	Temperature	Power	Weight	Capacity	Gas
A15CF600-01	955 x 1800 x 640 mm 37"x71"x26"	725 x 1680 x 500 mm 29"x67"x20"	-25°C -13°F	250W 230V	78kg 172lbs	600L	R600a
A15CF700-01	905 x 2055 x 730 mm 36"x81"x29"	615 x 1935 x 510 mm 25"x77"x20"	-25°C -13°F	260W 230V	97,5kg 214lbs	700L	R290