

## INFRARED LAMP

## IRXB01

### INFRARED LAMP

The use of infrared lamp is essential for the composite repair with irregular shapes. Indeed, these lamps can polymerize the composite without any contact.

Our Infrared lamps are very easy to use. Thanks to its clamp and articulated arm, the lamp can be positioned very precisely, in many positions without cluttering the space on the ground.

These infrared lamps can operate precise cure with our Hot Bonders



### OPTIONS

- ✓ Mounting system with suction cups
- ✓ Voltage 110 V
- ✓ Power : 500 W

### IDEAL FOR

- ✓ Liquid shim
- ✓ Spot repair

### ADVANTAGES

- ✓ The lamp can be fixed to any support thanks to its clamp
- ✓ High flexibility
- ✓ Very space-efficient

### MAIN FEATURES

- ✓ Temperature: Up to 200°C
- ✓ Weight: 2 kg
- ✓ Fonction in all position
- ✓ Lamp support

### ACCESSORIES

- ✓ Articulated arm of 53 cm
- ✓ Transport case with custom foam



**INFRARED LAMP**

**IRXB01**



**IR1B01**

**IR4B01**

**MAIN FEATURES**

	<b>IR1B01</b>	<b>IR4B01</b>
<b>Weight</b>	2 kg	12 Kg
<b>Size (*)</b>	143 x 140 x 69 mm	698 x 2790 x 830 mm
<b>Max power (*)</b>	1000W	3000W
<b>Emitters</b>	1	2
<b>Nominal Zone</b>	75 x 75 mm	600 x 150 mm
<b>Max temperature</b>	200°C	200°C
<b>Heat</b>	+/- 5°C à 100°C	+/- 5°C à 100°C
<b>Min distance lamp/item</b>	200 mm	200 mm
<b>Accessories supplied</b>	Articulated arm + clamp + storage case	On tripod

(\*) Other size or other power available on demand.



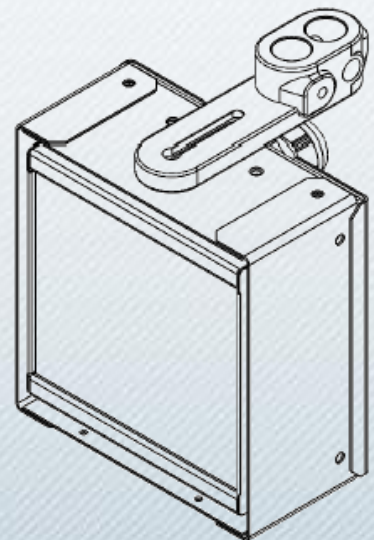
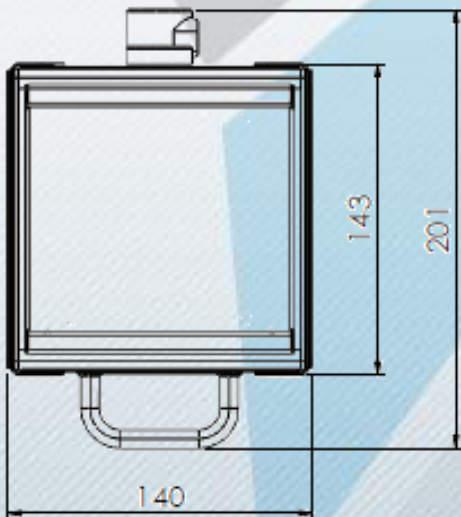
**INFRARED LAMP**

**IRXB01**

**MAIN FEATURES OF THE IR1B01 LAMPE**

<b>IR1B01</b>	
<b>Main power</b>	220V/240V 50Hz /60Hz single phase
<b>Heating Element</b>	IR quartz emitters
<b>Using mode</b>	Connected to one of our hot bonders

**DIMENSIONS LAMP HEAD IR1B01**



**INFRARED LAMP**

**IRXB01**

**SPARE PARTS IR1B01**

Designation	References
Articulated arm with clamp	A2BA01
Suction cup option	A11IRSUCUP



**STORAGE CASE INCLUDED WITH THE LAMP IR1B01**

